

Project:	
Model #:	
Item #:	
Available W/H:	Qty:
Approval:	
AIA #:	SIS #:
CSI Section 11400	

# Undercounter Freezer

Undercounters  
X-line

**Model : XUF-28-N**




## ≡ FEATURES & BENEFITS ≡

- **Hydrocarbon refrigerants (R-290)**  
With innovative and eco-friendly technology, RefrigerationX brings you hydrocarbon refrigerators designed to meet DOE's Energy Conservation Standards in 2017 and to use EPA's SNAP Program approved HC refrigerants. Hydrocarbon refrigerants do not deplete the ozone layer and have very low contribution to global warming (ODP-0, GWP-3).
- **Ergonomically designed doors**  
Customers' fatigue fades away with easy grip handles and doors that open effortlessly. These features along with self-closing doors make this the ultimate choice in customer convenience. ABS sheet door liners resist water condensation with thermal efficiency.
- **Cabinet construction**  
X-line model boasts a stainless steel exterior (door) with AL exterior sides (galvanized steel back and bottom). Interior is stainless steel floor and back with AL sides. It guarantees the utmost in cleanliness and long product life.
- **High-density polyurethane insulation**  
The entire cabinet structure and solid doors are foamed-in-place using high density, CFC free polyurethane insulation.
- **Self-contained system**
- **Adjustable, heavy duty, PE (polyethylene) coated wire shelves**
- **4" dia. swivel casters with locks on the front set**
- **Freezer holds -10°F ~ 0°F for the best in food preservation**



Model	Swing Doors	CU./FT.	#of Shelves	HP	AMPS	Crated Weight (lbs.)	L x D x H† (inches)
<b>XUF-28-N</b>	<b>1</b>	<b>7.11</b>	<b>1</b>	<b>1/3</b>	<b>1.7</b>	<b>175</b>	<b>27½ x 30 x 30</b>

## Model : XUF-28-N

ELECTRICAL DATA	
Voltage	115/60/1
Plug Type	 NEMA 5-15P
Full Load Amperes	1.7
Compressor HP	1/3
Cord Length (ft.)	9
Refrigerant	R-290
DIMENSIONAL DATA	
Net Capacity (cu. ft.)	7.11
Ext. Length Overall (in.)	27 1/2 (698mm)
Ext. Depth Overall (in.)*	30 (762mm)
Ext. Height Overall (in.)†	30 (762mm)
# of Doors	1
# of Shelves	1
Shelf Size (L x D) (in.)	22 1/2 x 17
Net Weight (lbs.)	164
Gross Weight (lbs.)	175

Design and specifications subject to change without notice.

Actual shipping weight may differ due to extra packing materials for product protection.

\* Depth does not include 1" for rear spacers.

† Height does not include 5-5/8" for caster height.

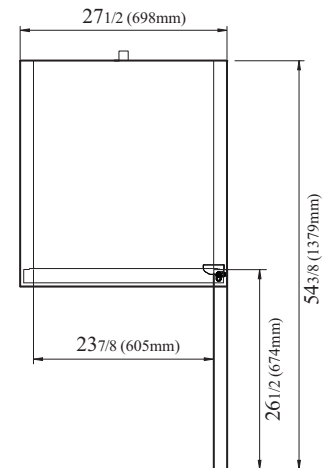
### ■ WARRANTY : 2 Year Parts and Labor Warranty Additional 3 Year Warranty on Compressor

### ■ OPTIONAL ACCESSORIES

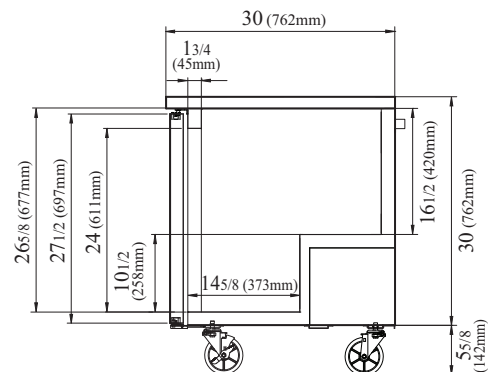
- 1" caster, 1/2" diameter & 13 TPI: S28R813660 (non-brake)
- 2.5" caster, 1/2" diameter & 13 TPI: 30265H0100 (non-brake), 30265H0200 (w/ brake)
- 5" caster, 1/2" diameter & 13 TPI: M726500100 (non-brake), M726500200 (w/ brake)
- Leveling leg, 1/2" - 13 TPI x 1.54": LFM1213566
- 6" ABS plastic leg: 30221M0200
- 6" stainless steel leg: 30221M0600
- Additional PE coated wire shelf: WM27800100

## PLAN VIEW

(unit : inch)



TOP VIEW



SIDE VIEW

Ver.20230531



Warranty: 800-381-7770

Warranty@RefrigerationX.com